

# TY-D

## LFBS series

48V / 15Ah to 45Ah

## LiFePO4 Battery System

for standby use

### Battery System



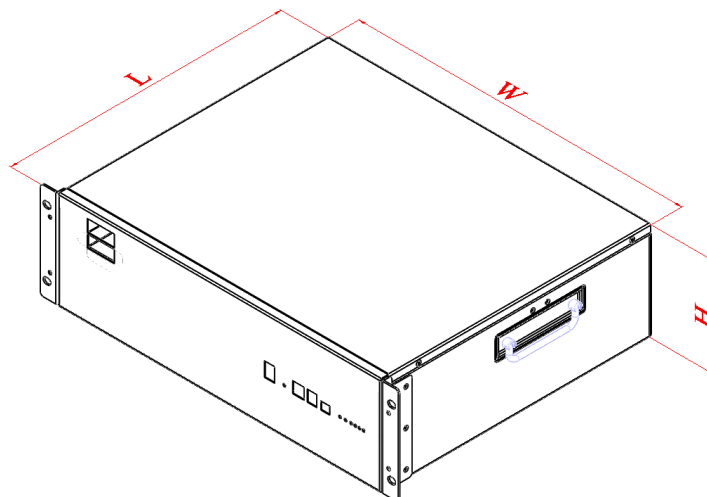
- |                                       |                                      |
|---------------------------------------|--------------------------------------|
| 1 System DC output                    | 6 Address Dial Number (ADD)          |
| 2 Power switch (POWER)                | 7 Run light (RUN)                    |
| 3 Reset Button (RESET)                | 8 Alarm light (ALM)                  |
| 4 Cascading Telecommunication (RS485) | 9 Indicator light for capacity (SOC) |
| 5 Up-link communication (RS232)       |                                      |

### General Specifications

Type	LFBS1548-1	LFBS3048-2	LFBS4548-3
Nominal Voltage (V)	48	48	48
Nominal Capacity (Ah)	15	30	45
Charge Voltage (V)	51.0 to 54.7	51.0 to 54.7	51.0 to 54.7
Max. Charge Current (A)	7.5	15	22.5
Output Voltage (V)	39 to 54.7	39 to 54.7	39 to 54.7
Max. Output Current (A)	15	30	45
Dimensions (L×W×H in mm)	365×436×44	365×436×88	365×436×132

Note: Nominal Capacity --- discharge with constant current (0.2CA) to end Voltage (37.5V) at 25°C

### Drawing



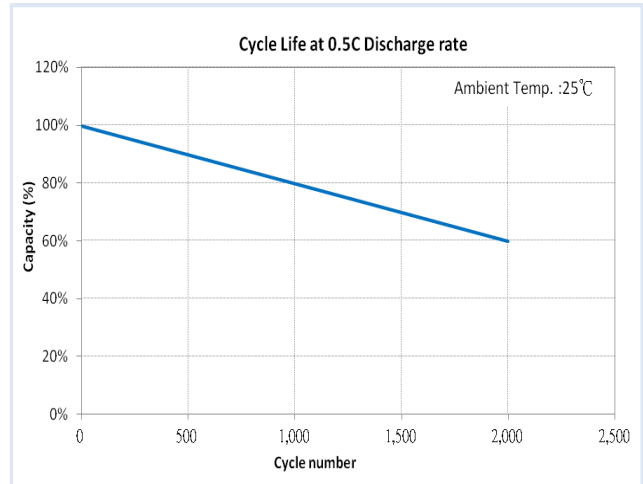
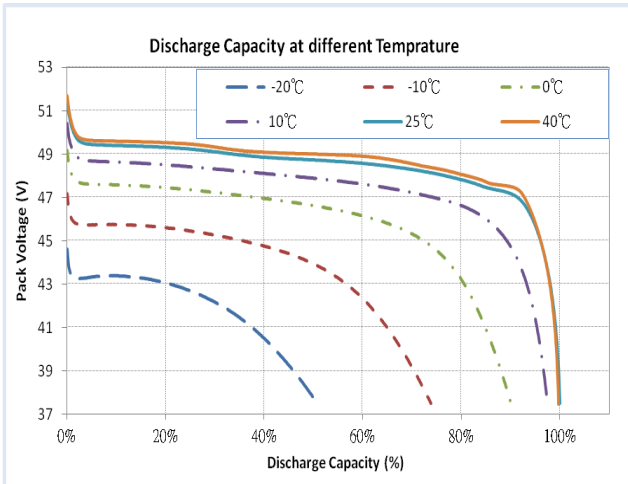
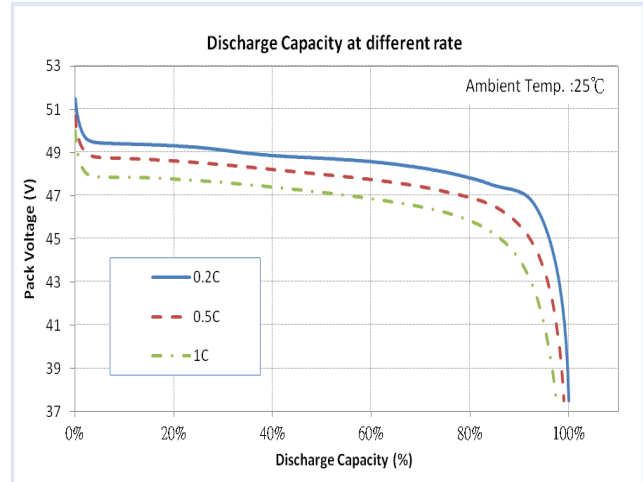
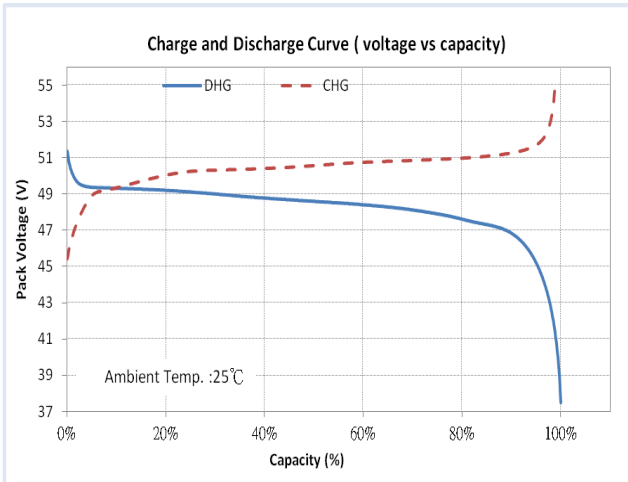
## LFBS series

48V / 15Ah to 45Ah

LiFePO4 Battery System

for standby use

### Performance Curve



### Operation Environment

- 1) Working temperature: -20 °C ~ +45 °C
- 2) Storage temperature: -20 °C ~ +45 °C
- 3) Relative humidity: 5% ~ 85%

**TAIWAN YUASA BATTERY GROUP**  
**TY DYNAMIC CO., LTD.**

No.11, Ln.227, Fuying Rd., Xinzhuang Dist., New Taipei City.

TEL: +886-2-2901-8261 FAX: +886-2-2903-9626

Website: <http://www.yuasa.com.tw/>

E-mail: [yua115@yuasa.com.tw](mailto:yua115@yuasa.com.tw)